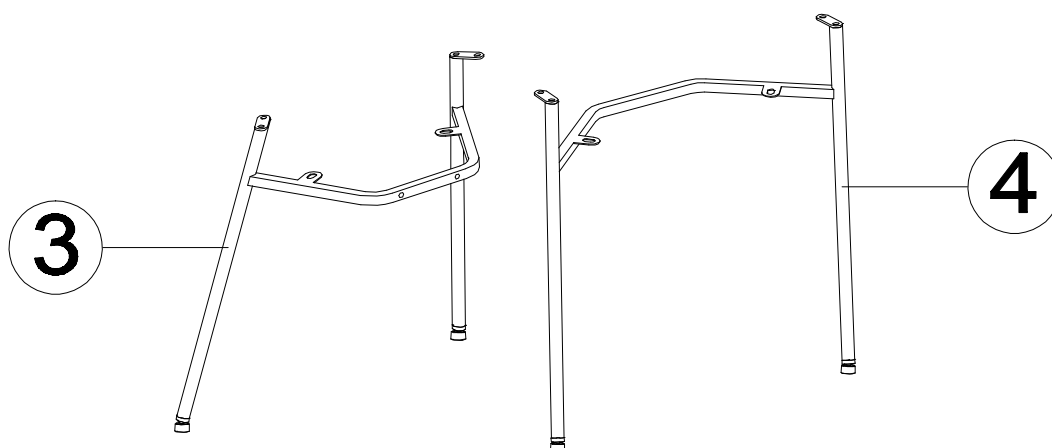
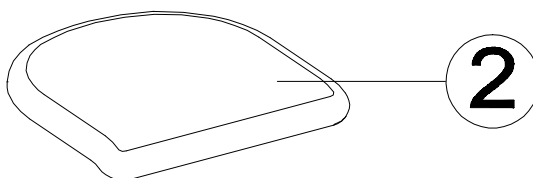
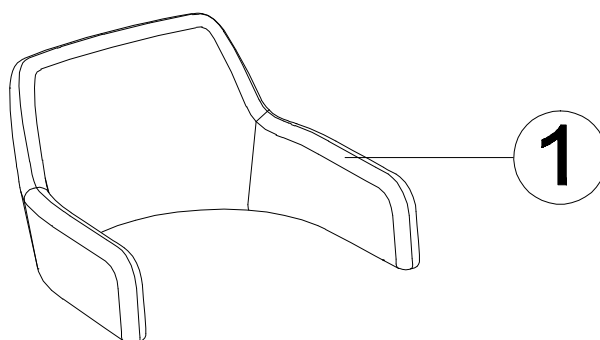
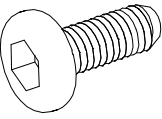
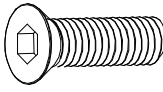
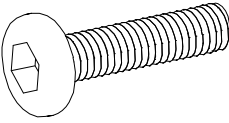
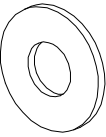
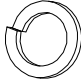
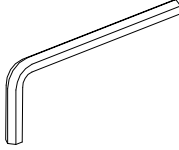
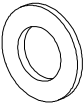
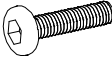


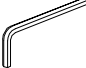


①	1	500X530X305	
②	1	465X465X70	
③	1	550X480X185	
④	1	550X550X170	

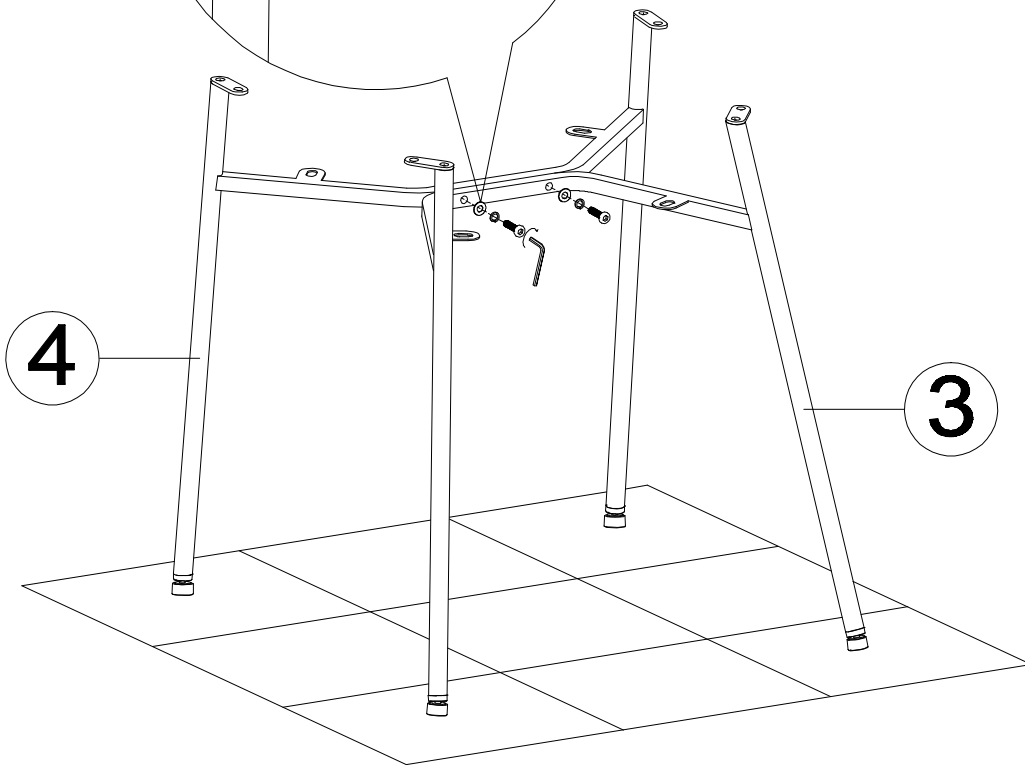
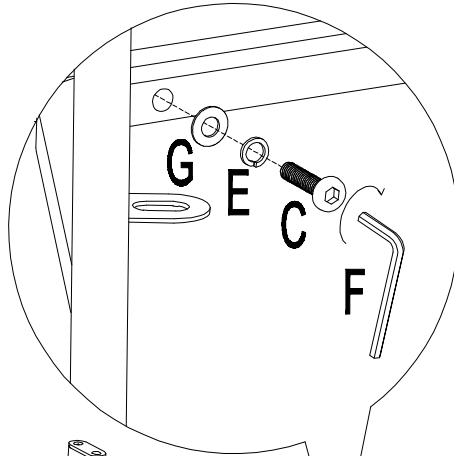


<p>AX4</p>  <p>M6X16mm</p>	<p>BX4</p>  <p>M6X16mm</p>	<p>CX2</p>  <p>M6X30mm</p>
<p>DX4</p>  <p>M6X18mm</p>	<p>EX2</p>  <p>M6X10mm</p>	<p>FX1</p>  <p>M4</p>
<p>GX2</p>  <p>M6X14mm</p>		


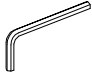
1

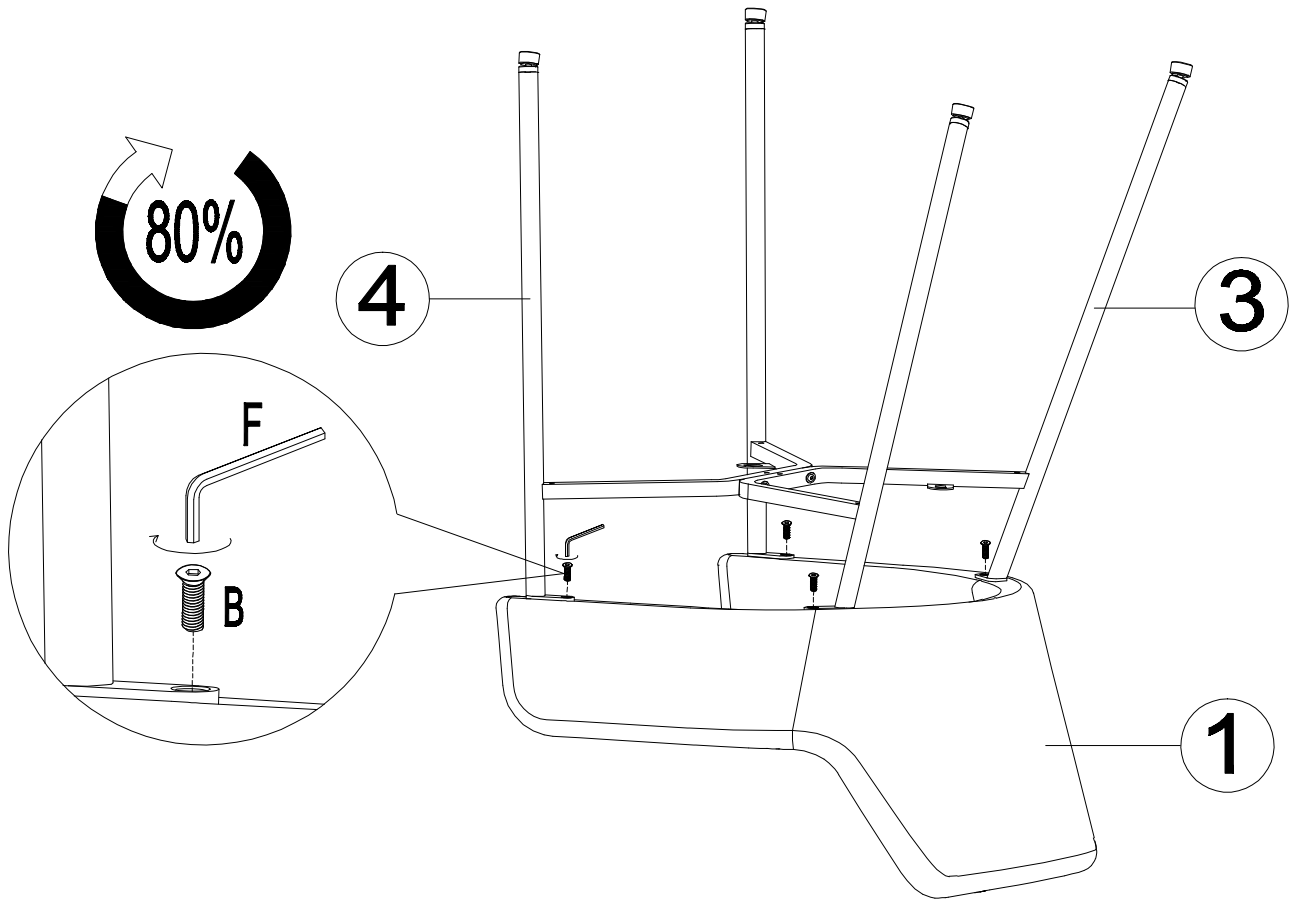
CX2  M6X30mm	GX2  M6X14mm	EX2  M6X10mm	FX1  M4
---	---	---	--

80%

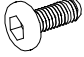

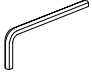


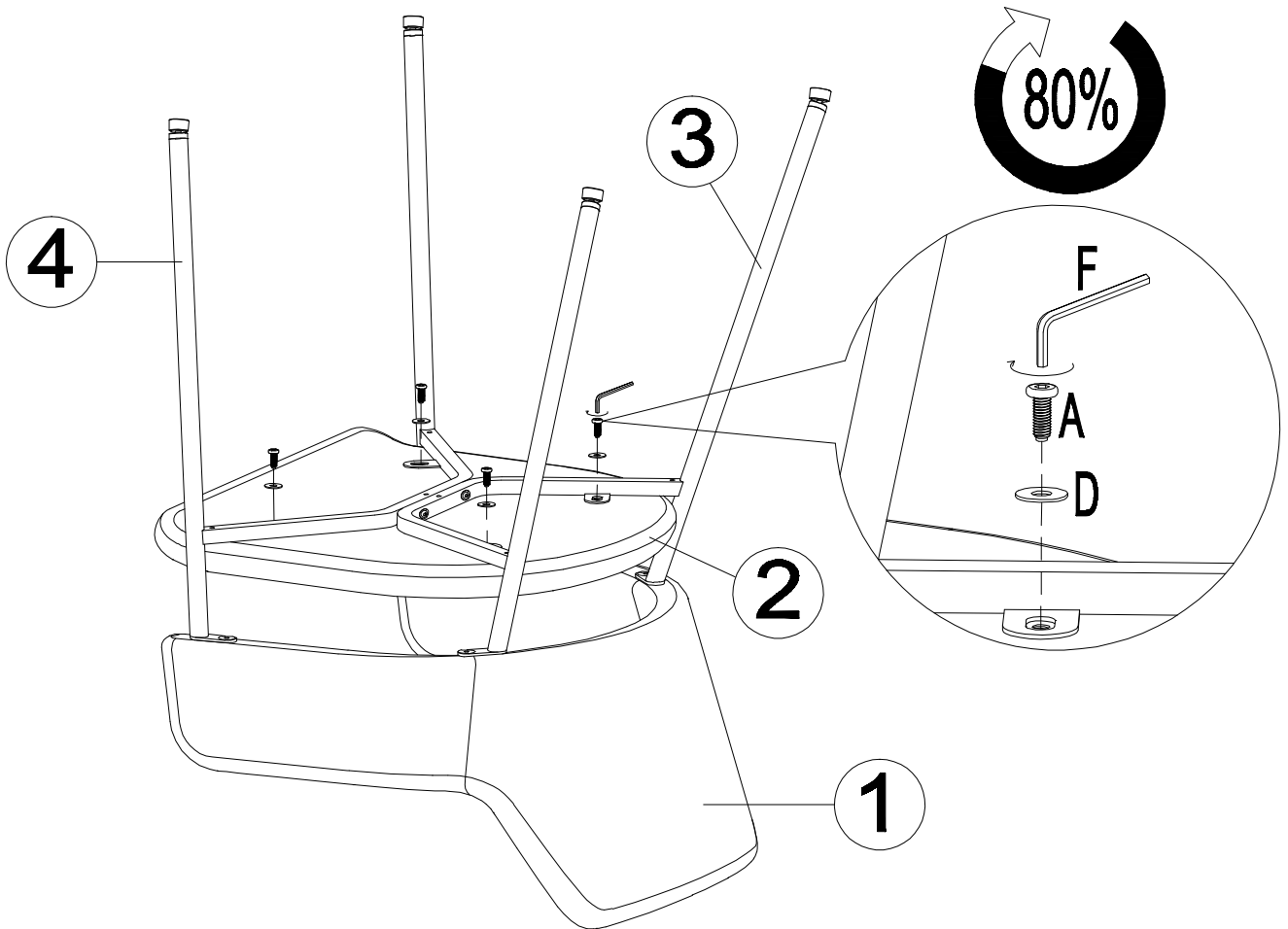
2

BX4  M6X16mm	FX1  M4
---	--



3

AX4  M6X16mm	DX4  M6X18mm	FX1  M4
---	---	--



4

